



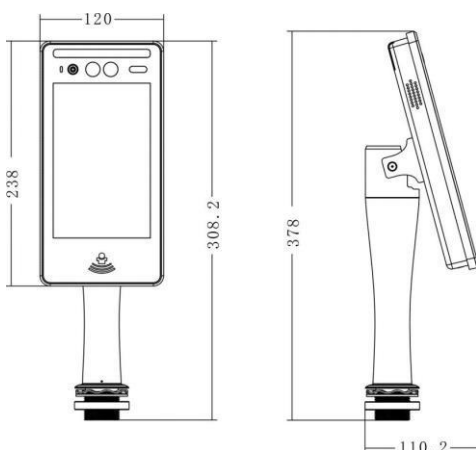
Face Recognition Terminal with Forehead Fever Detection

Features

- Edge-based face detection, capturing, recognition, and comparison functions
- Database: 10,000 people
- Quick measurement with temperature display
- Facial mask detection
- Liveness detection for anti-spoofing
- Customizable audio messages
- Sony 2MP starlight CMOS sensor
- Wiegand input & output (26-,34-, 66-bit protocols) for access control
- Industrial design with Linux OS
- API available for project customization



Dimensions



Specifications

Model	FA-MR0M1T-2
CAMERA	
Type	Dual camera (colour + B/W)
Image Sensor	Sony 1/2.8" 2MP starlight CMOS sensor
Effective Pixel	1920 (H) x 1080 (V)
Frame Rate	25/30fps
Lens	6mm
White Balance	Auto
Image Settings	Exposure, gain, contrast, saturation and brightness
DISPLAY	
Size	7" IPS LCD screen
Resolution	1280 x 800 pixels
ACCESSORIES	
Lighting	IR, white light
Loudspeaker	Out-going authentication message and temperature alarm
FACE RECOGNITION	
Face Size	Pupil distance ≥ 80 pixels; Face width ≥ 150 pixels
Face Angle	Vertical $\leq 20^\circ$; Horizontal $\leq 30^\circ$
Capacity	10,000 faces
Accuracy	$\geq 98\%$ (subject to conditions)
Response Time	$\leq 1s$
Detection Distance	0.3 – 1.3m
Events Storage	100,000
TEMPERATURE DETECTION	
Detection Range	34°C ~ 42°C
Measurement Accuracy	$\pm 0.5^\circ\text{C}$
Response Time	$\leq 1s$
Detection Distance	25 – 40cm
Facial Mask Detection	Yes
COMMUNICATION	
Network	RJ-45, 100 base-T
Protocol	TCP/IP, HTTP, IPv4, DHCP, RTSP, NTP, FTP, ONVIF
Wiegand / Alarm Input	1
Wiegand Output	1
Relay Output	2
RS485	1
MISCELLANEOUS	
Operating Environment	-10 ~ 50°C / 90% relative humidity (no condensation)
Power Supply	DC12V, 12W
Dimensions (mm)	120 (W) x 238 (H) x 29 (D), excluding bracket
Weight	1.6kg

